

IM-PQM-CT13

RevenueGradePowerQuality Meter



Datasheet

- Three phase 1/5A current transformer operated
- UL & MID Certified
- High accuracy, Class 1 / Class 0.5s
- Multi-parameters measurement
- Bi-directional measurement for kW and kWh
- Configurable pulsed output
- Confirmations/ Offline detection available
- Support auto-upload mode for uploading data to back server actively
- Support auto-resume mode for suddenly power off of the gateway when resume
- Download/ Upload time interval can be set or adjusted



The IM-PQM-CT13 is an advanced multi-function three phase wireless monitoring solution with built-in encryption that stays off your network. It measures and displays the characteristics of single phase two wire(1p2w) , single phase three wire(1p3w), three phase three wire(3p3w,) and three phase four wire(3p4w) supplies, including kWh, kVAh, kW, kVar, kVA, PF, Frequency, Voltage, Current, dmd. THD etc. Energy is measured in terms of kWh, kVAh. Maximum demand current can be measured over preset periods of up to 60minutes.

The Intrinsic MFG IM-PQM-CT13 is a true game changer. Its UL listed revolutionary technology has military-grade wireless encryption that stays off your network ensuring 100% security and out of the box reliability. This meter is a first of its kind to allow it to be INSTALLED IN MINUTES with NO SHUT DOWN OF POWER and NO CONDUIT OR WIRE!

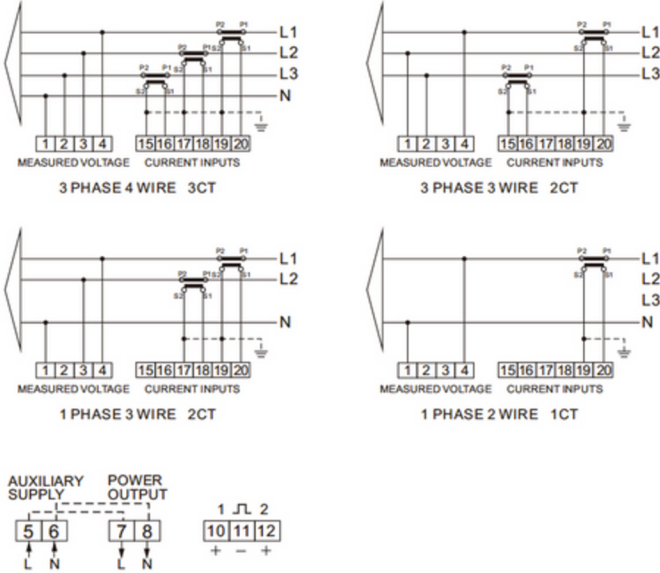
The system comes with all software, dashboards and licenses for power metering, monitoring, transfer switch status and even downloadable reports to upload directly into your sub-tenant billing system.

Specification table

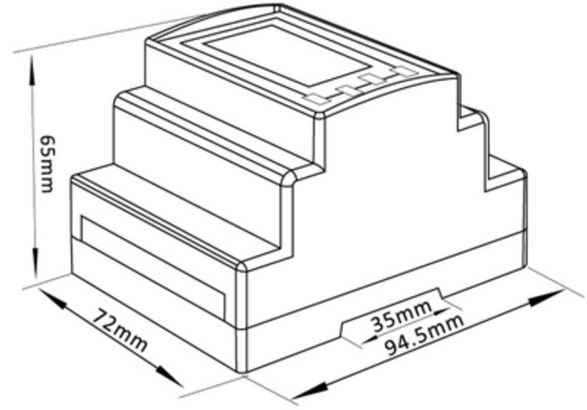
Specification		Mechanical Characteristics	
Type of measurement	(RMS including harmonics on three phase AC system (3P, 3P+N))	Weight	330g
Measurement accuracy		IP Degree of Protection (IEC 60529)	IP30 (indoor)
- Active Energy	IEC 62053-21	Dimensions (WxHxD)	72x94.5x65mm
- Reactive Energy	Class 1 IEC	Mounting	Din rail (DIN 43880)
- Frequency	62053-23 Class 2	Material of meter case	Self-extinguishing UL 94 V-0
- Current	± 0.2% ± 0.5% ±	Mechanical environment	M1
- Voltage	0.5% ± 0.01 ±	Environmental Characteristics	
- Power	0.01 1 second	Operating Temperature	-25 to 55°C -40 to 70°C <95%
- Power Factor	nominal	Storage Temperature	RH at 50 °C (non-
Data Update Rate		Humidity Rating	condensing) 2 2000m 10Hz
Input-Voltage		Pollution Degree	to 50Hz, IEC 60068-2-6
- VT Primary	30 ~ 500000 Vac	Altitude	
- Un	230 V L-N	Vibration	
- Measured Voltage with Over-range	1700V 480 V AC L-L / 100 to 276 V AC L-N	Safety	
- Impedance	1MΩ	Measurement Category	Per IEC61010-1 CAT III
- Frequency Range	45-65Hz	Current Inputs	Require external Current Transformer for Insulation
Input- Current		Over voltage Category	CAT III
- CT Ratings		Dielectric Withstand	As per IEC 61010-1 Double Insulated front panel display
- Primary	1-9999A	Protective Class	II
- Secondary	1A / 5A	Safety	
- Measured current with Over-range	6A	Interface standard and protocol	LoRaWAN Specification 1.0.2
- Withstand	Continuous 120A for 0.5 Seconds	Frequency	US 915
- Impedance	45-65Hz	LoRaWAN Classes	Class C
- Frequency Range	<0.036VA at 6A	Auto-upload	Max. 30 parameters
- Burden	±1% of range maximum	Auto-upload Interval	Configurable
Auxiliary Power Supply		Activation Way	OTAA or ABP
- Operating Range	85-275V AC / 120-380V DC	Output Power	13dBm in transmission
- Power Consumption	< 7VA/3.5W	Coding Format	ASCII
- Frequency	45 to 65 Hz	Communication Distance	1500M in an open area
Max. reading	9999999.9 kWh/ kVAh		

Datasheet

Wiring Configuration



Wiring Guide



Conformity References

Electromagnetic Compatibility: EN61326-1:2013 & EN61326-2-3:2013

Low Voltage Directive: EN61010-1-2010 & EN61010-2-30-2010

MID DIRECTIVE: 2014/32/EU

Misrepresentation Act – The details provided in this document are believed to be accurate but cannot be guaranteed. All liability, whether in negligence or otherwise, for any loss arising from the use of these details is hereby excluded.

©2025 Copyright Intrinsic MFG.

Datasheet_Jul2025